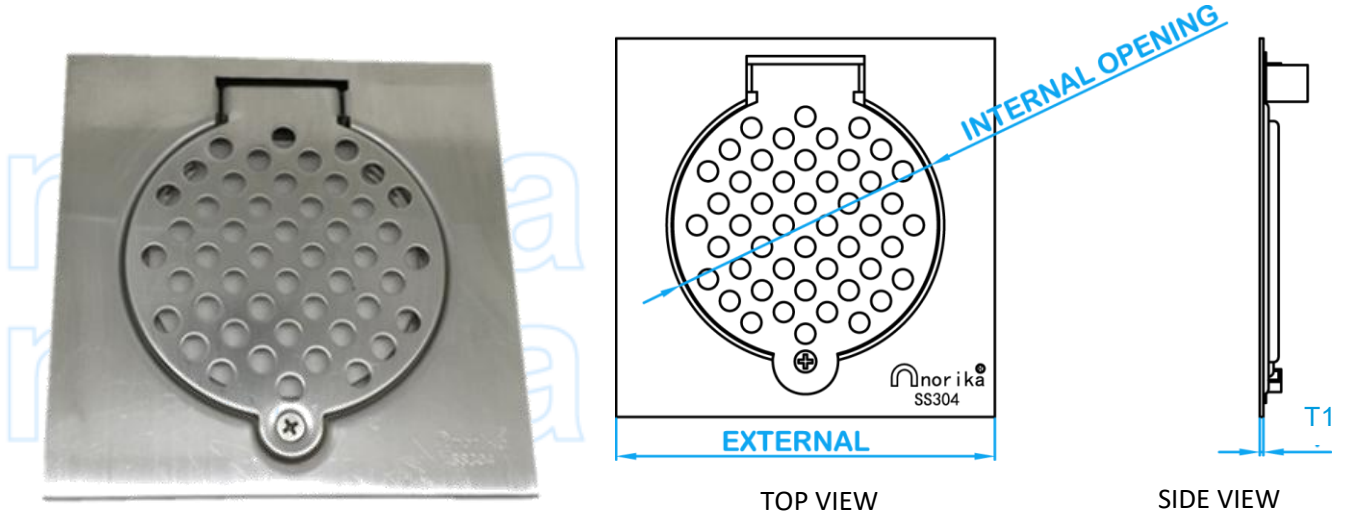


# STAINLESS STEEL AISI304L & AISI316L SQUARE GRATINGS

COMPLY WITH SS213:1998



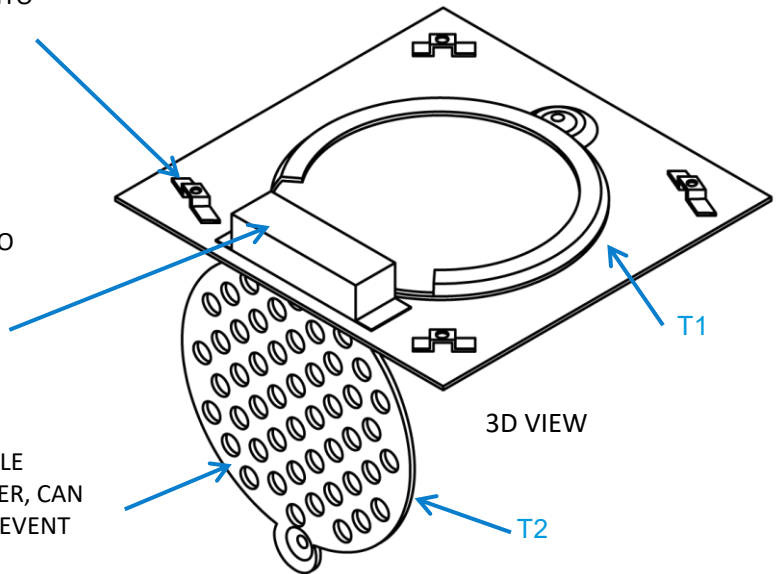
WITH LOCK



GRIPS ARE ADDED TO HOLD ONTO THE CEMENT AND PREVENT GRATING FROM SLIPPING OFF.

ADDITIONAL COVER IS DESIGNED TO ENABLE THE LID TO BE OPENED EASILY BY PREVENTING CEMENT FROM SEEPING IN.

150x150 & 200x200MM WITH HOLE  
REGULAR STYLE: 2MM THICK COVER, CAN INCREASE LOAD-BEARING AND PREVENT DEFORMATION.



## DIMENSIONS

SKU	MATERIAL	SURFACE	INTERNAL OPENING (mm)	T1×T2 (mm)	EXTERNAL (mm)	WEIGHT (kg)	PCS/CTN
SSGN100HLWL	AISI304L	HAIRLINE	70	1.5×1.5	100×100	0.120	100
SSGN150HLWL	AISI304L			1.5×2.0			
SSGN150HLWL316	AISI316L		1.5×2.0				
SSGN150HLWLHD	AISI304L		3.0×3.0	0.520	40		
SSGN200HLWL	AISI304L		130			1.5×2.0	200×200